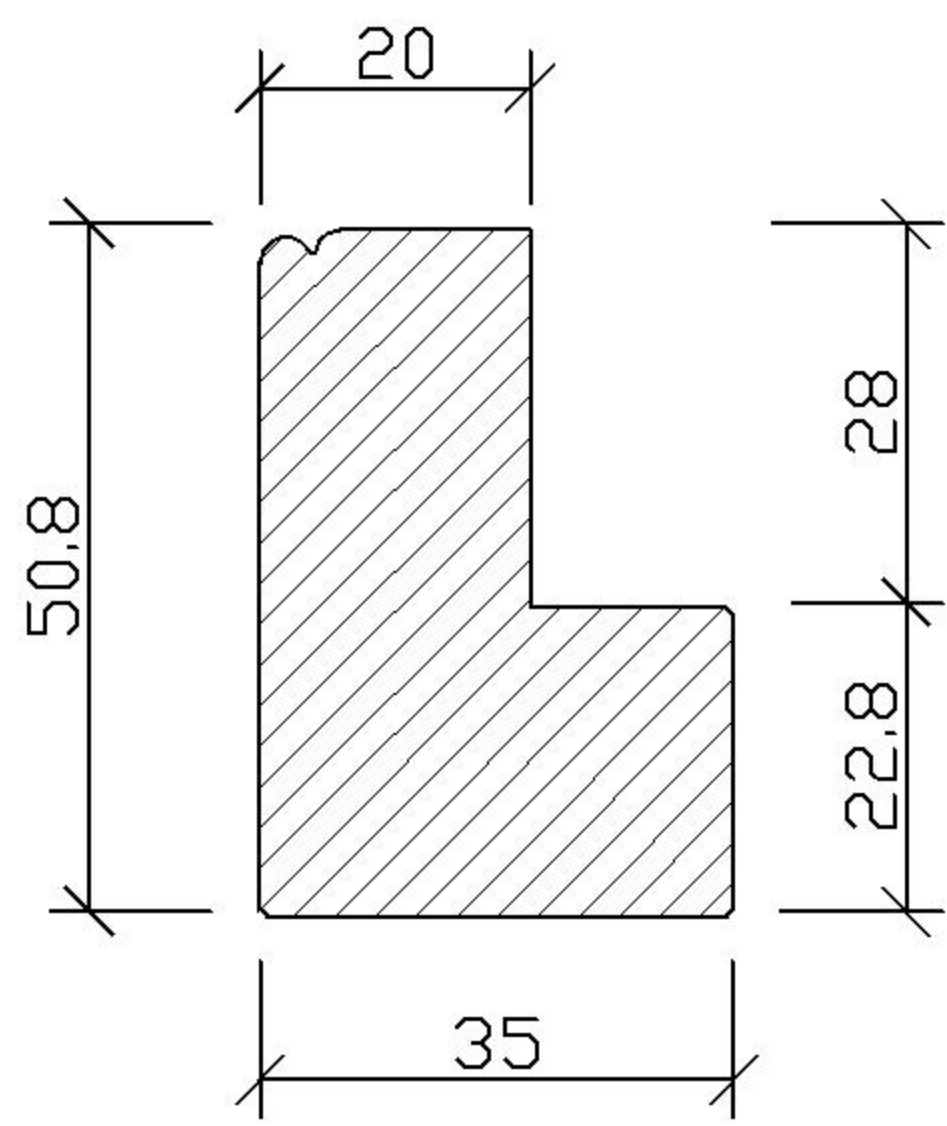
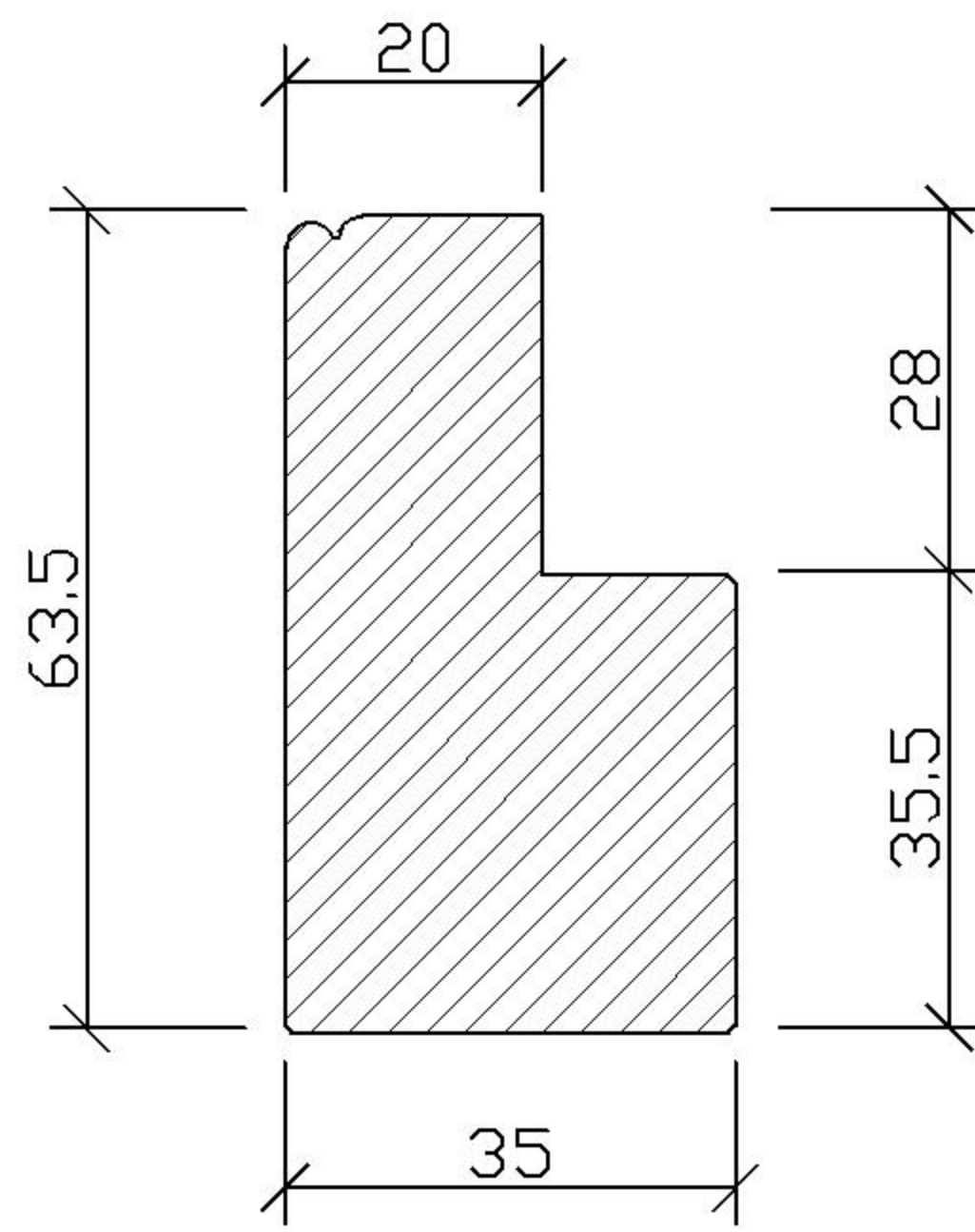


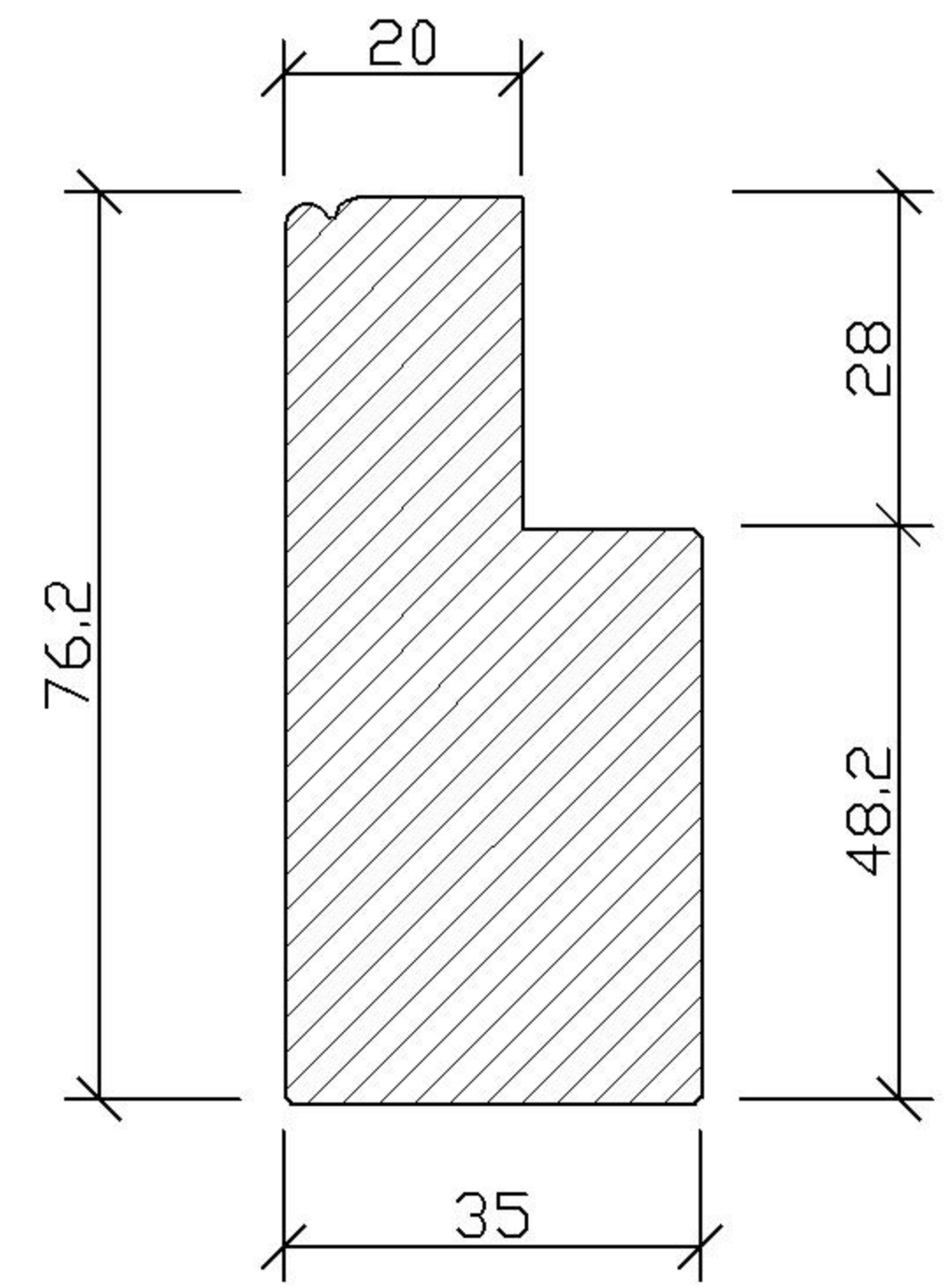
Subject:Frame type



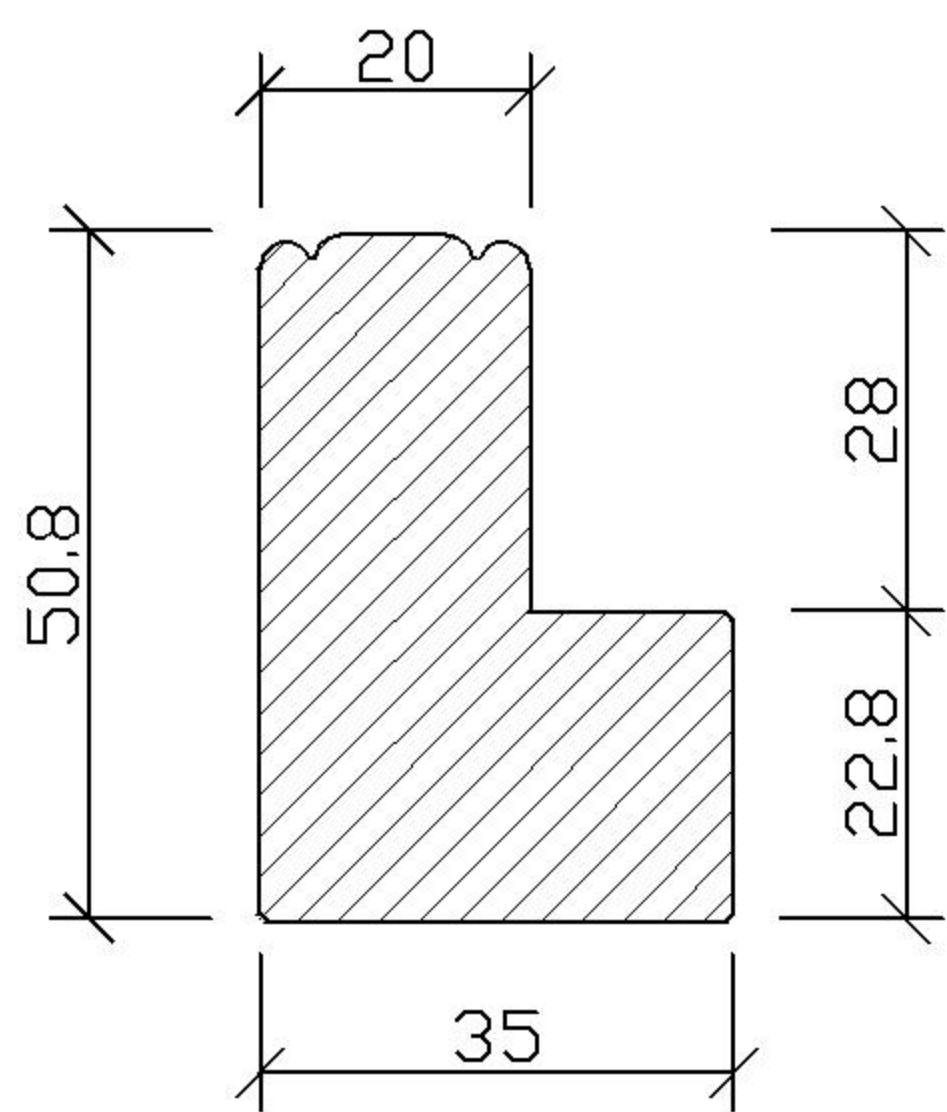
4001A
Std. beaded 1L Frame



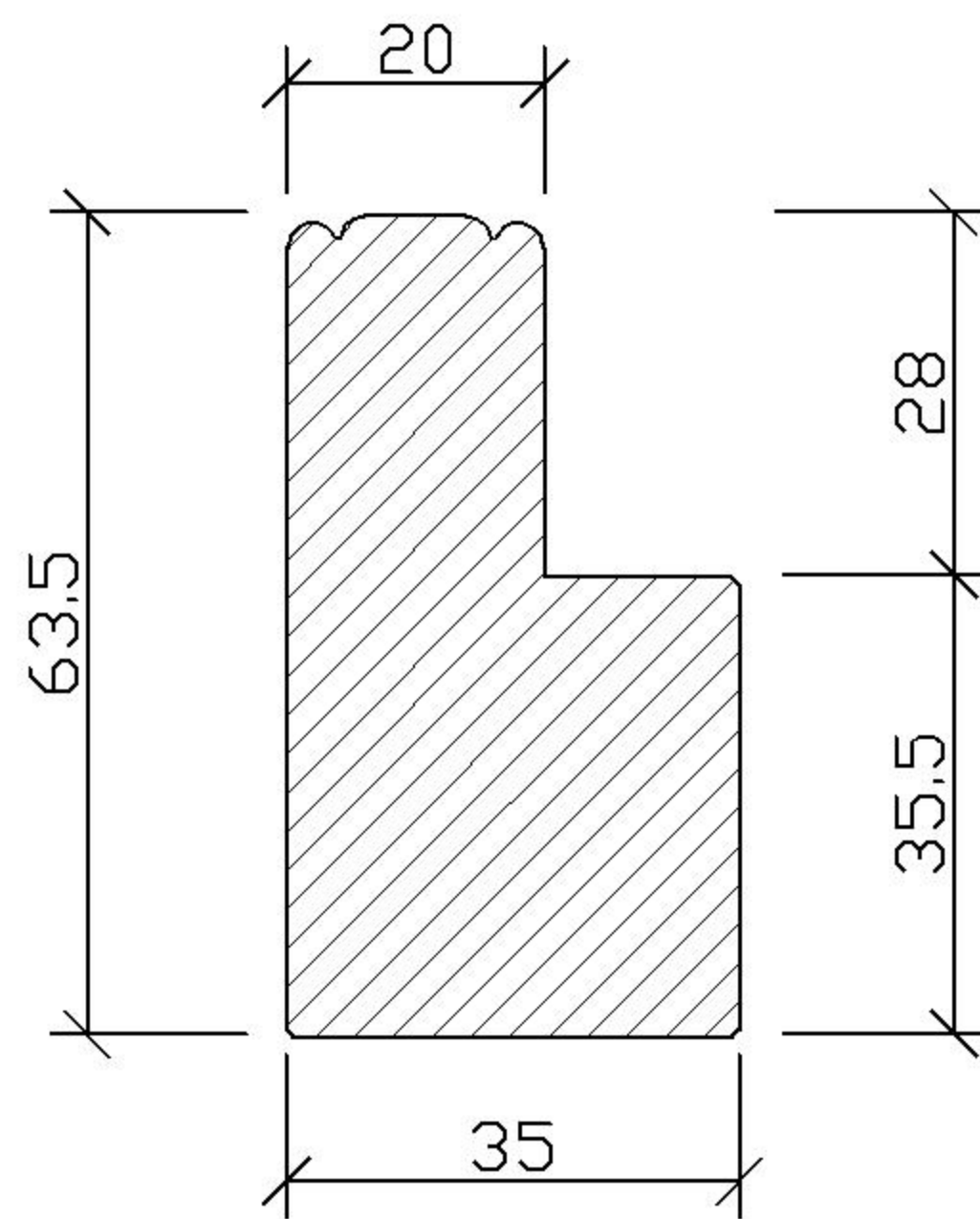
4001B
Lrg. beaded 1 L Frame



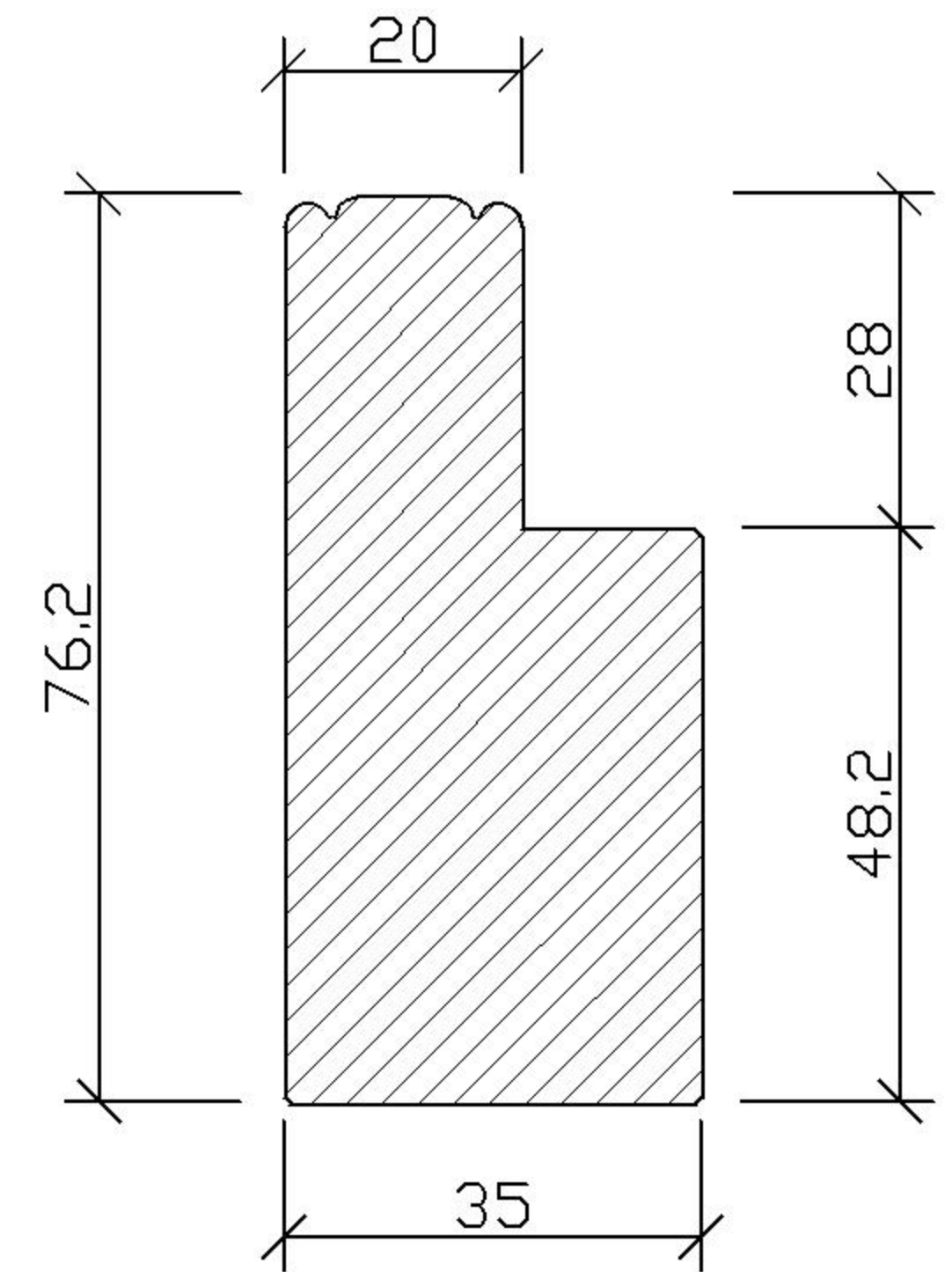
4001C
Xlrg. beaded 1 L Frame



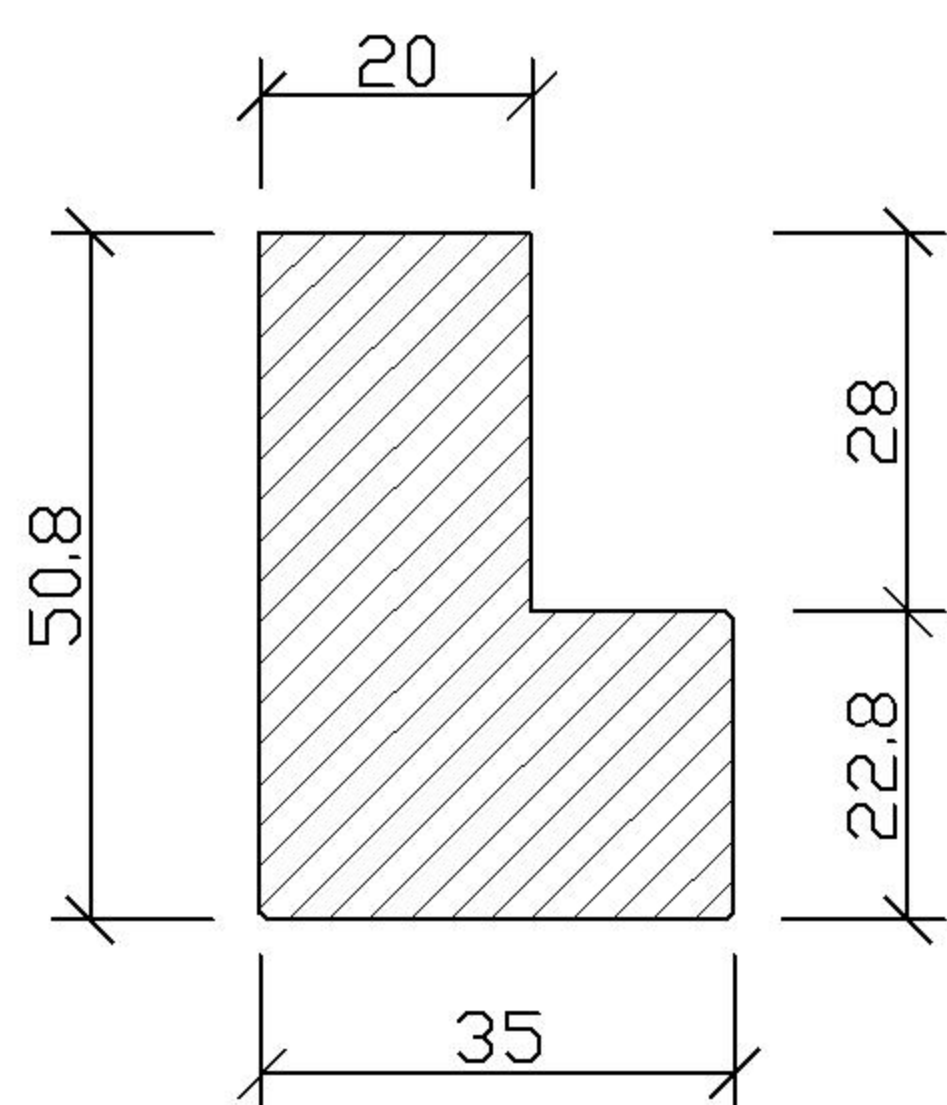
4002A
Std. beaded 2 L Frame



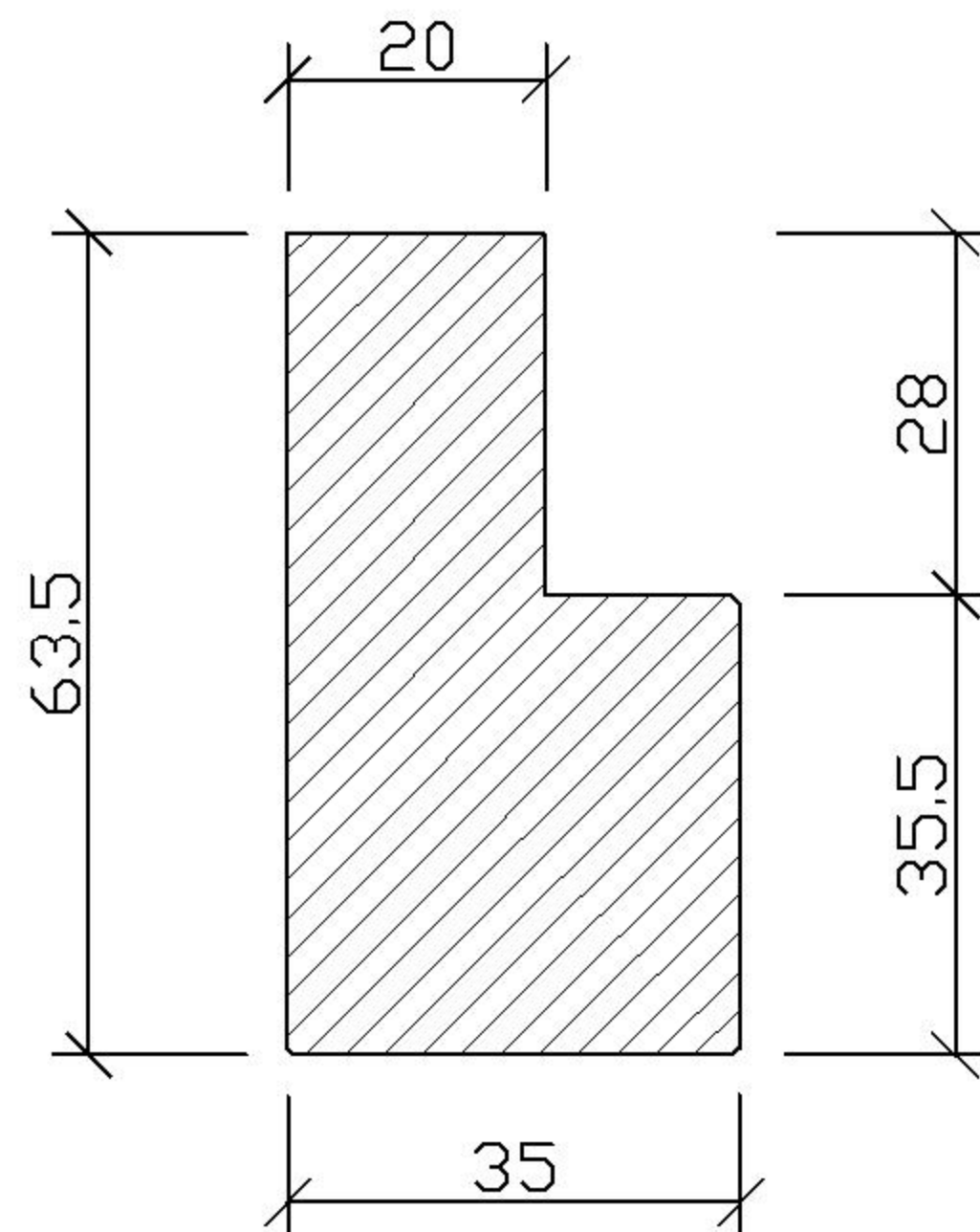
4002B
Lrg. beaded 2 L Frame



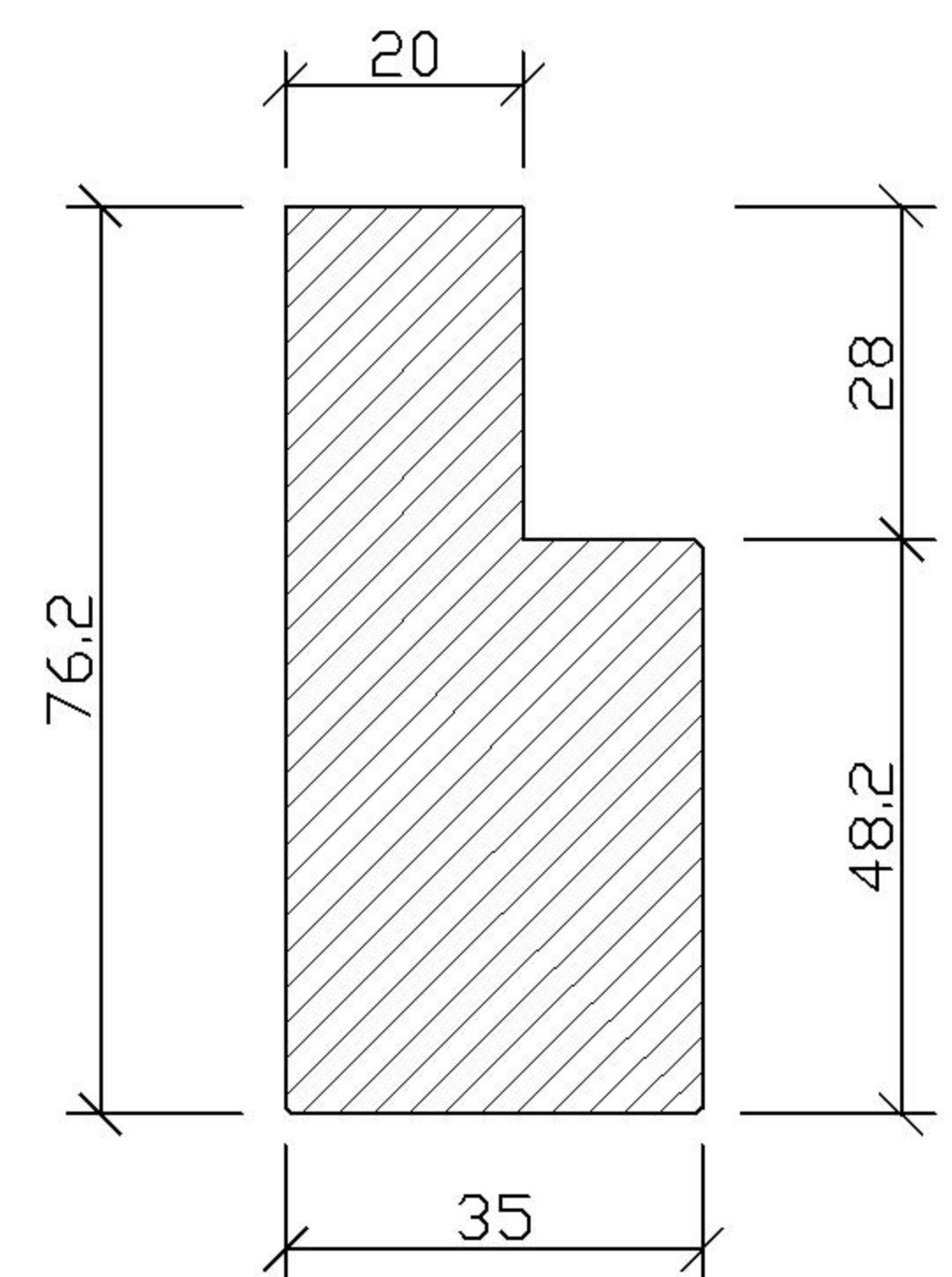
4002C
Xlrg. beaded 2 L Frame



4007A
Std. plain L Frame

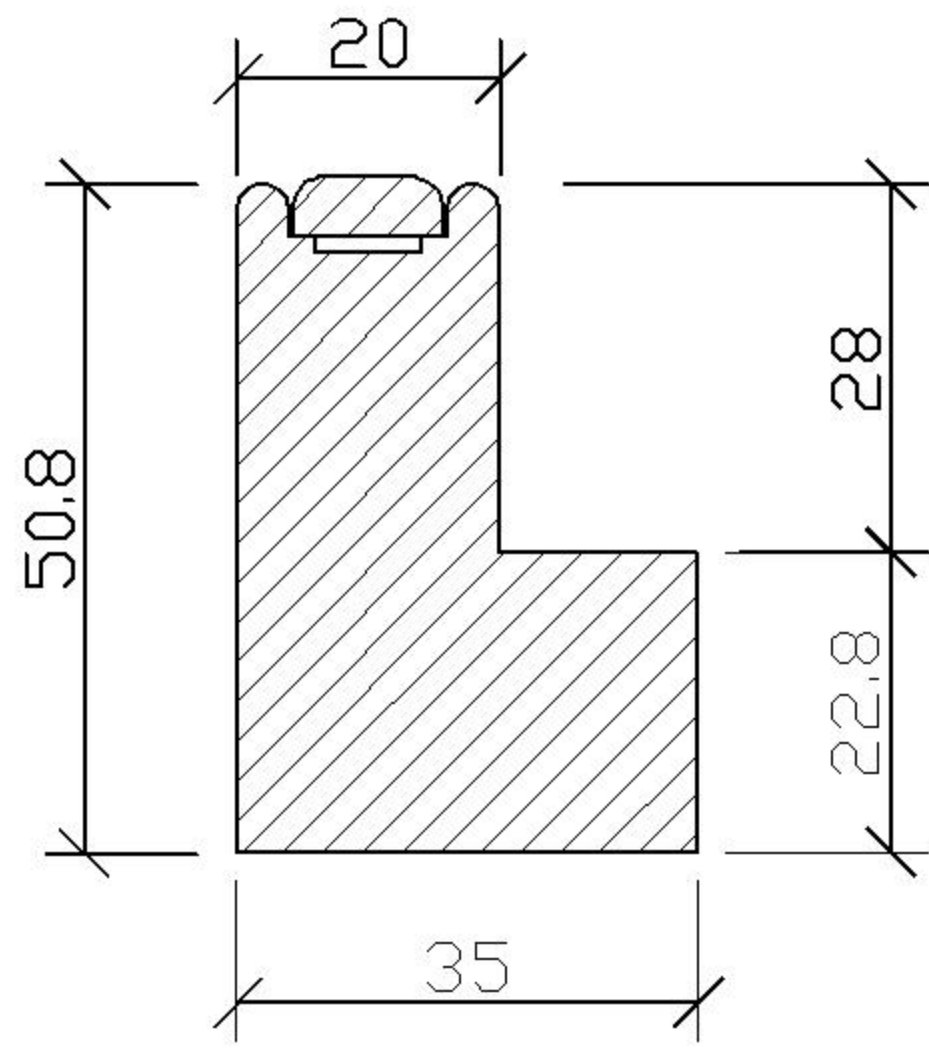


4007B
Lrg. plain L Frame

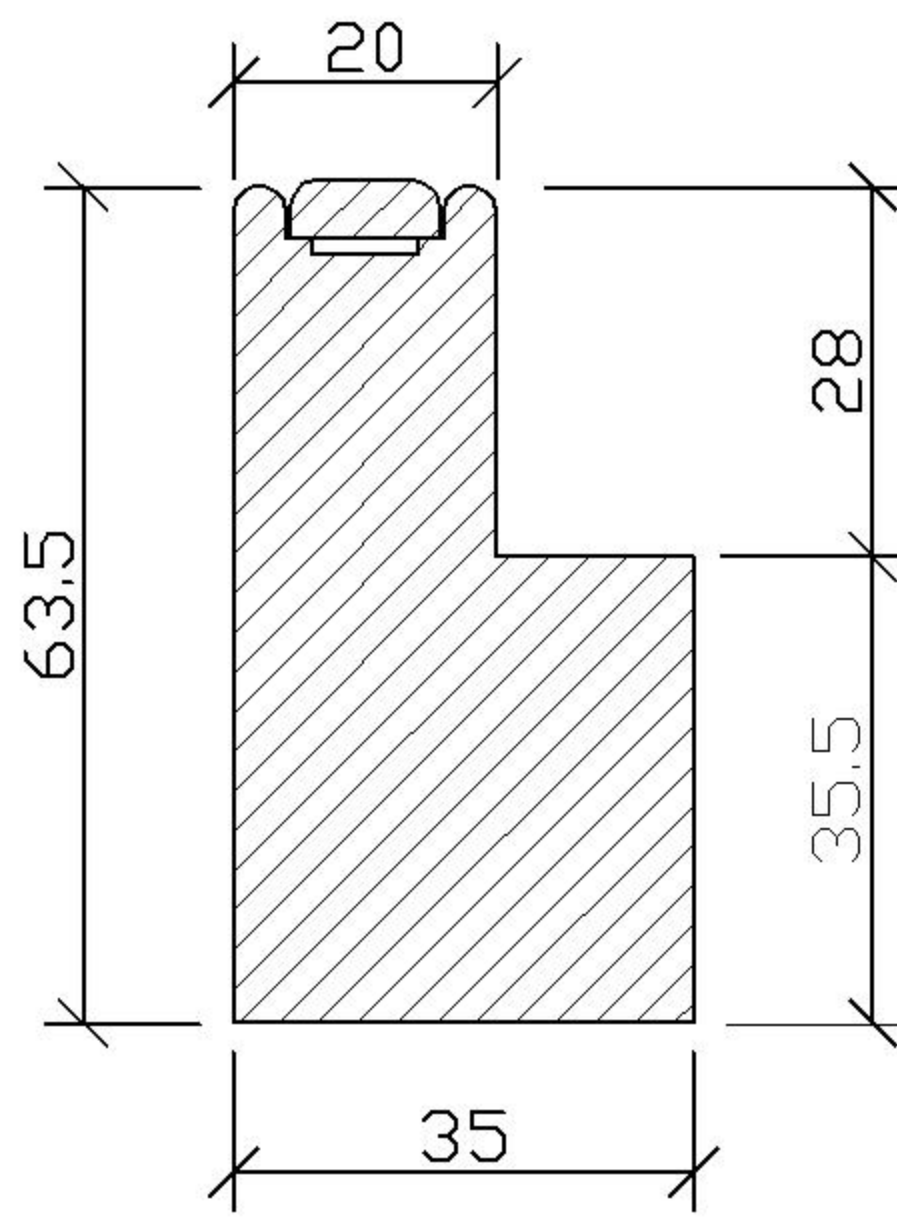


4007C
Xlrg. plain L Frame

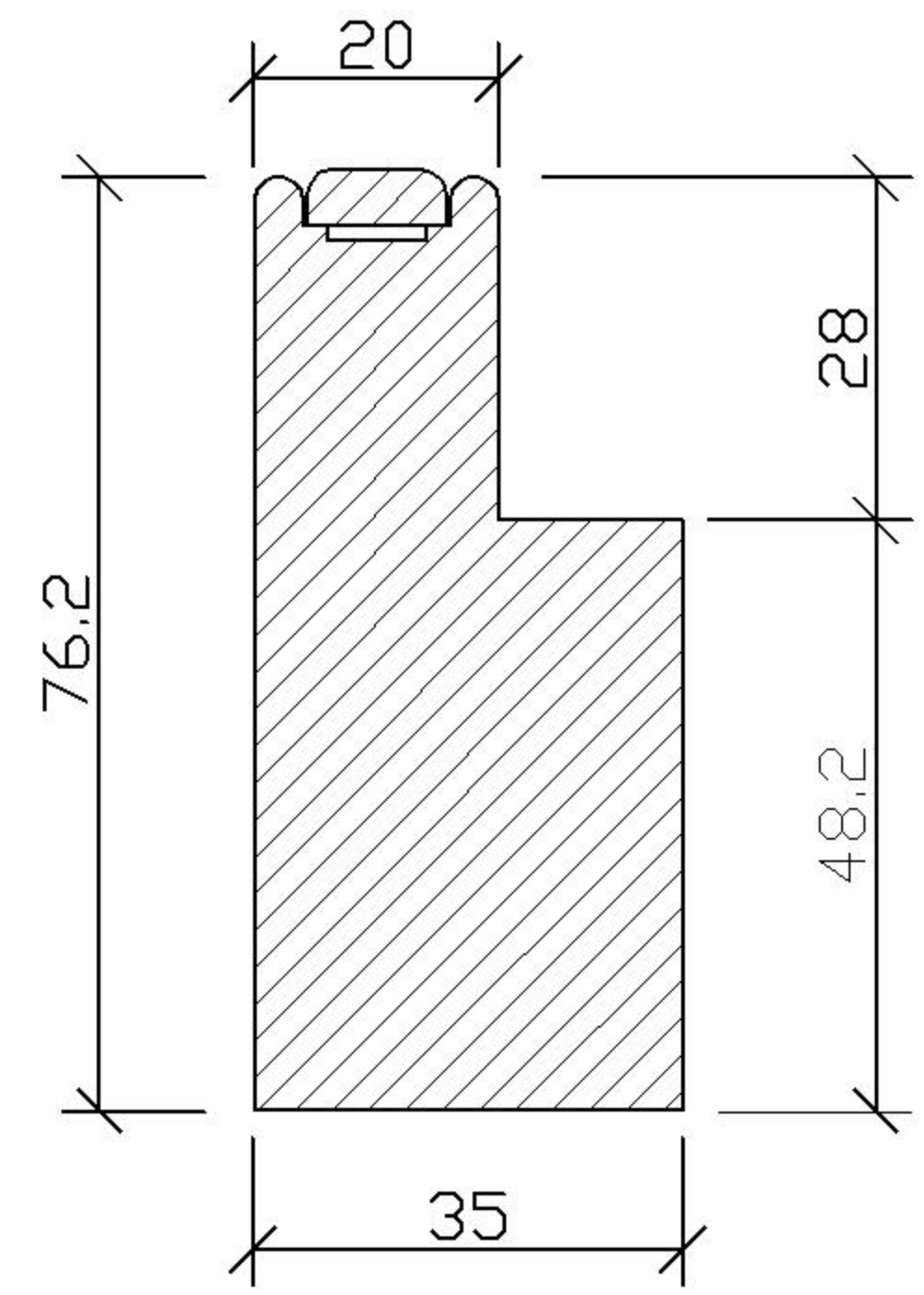
Subject:Frame type



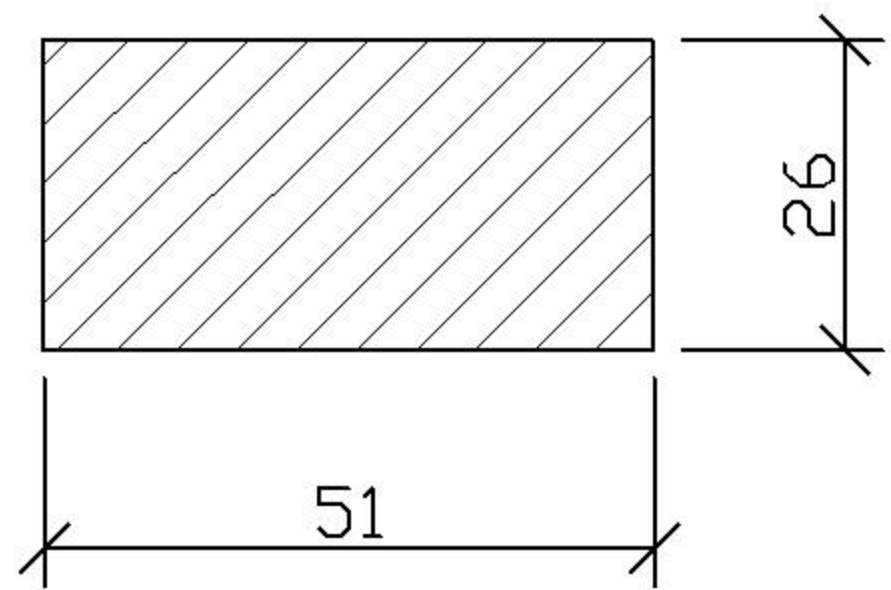
4008A
Std· L Frame with insert



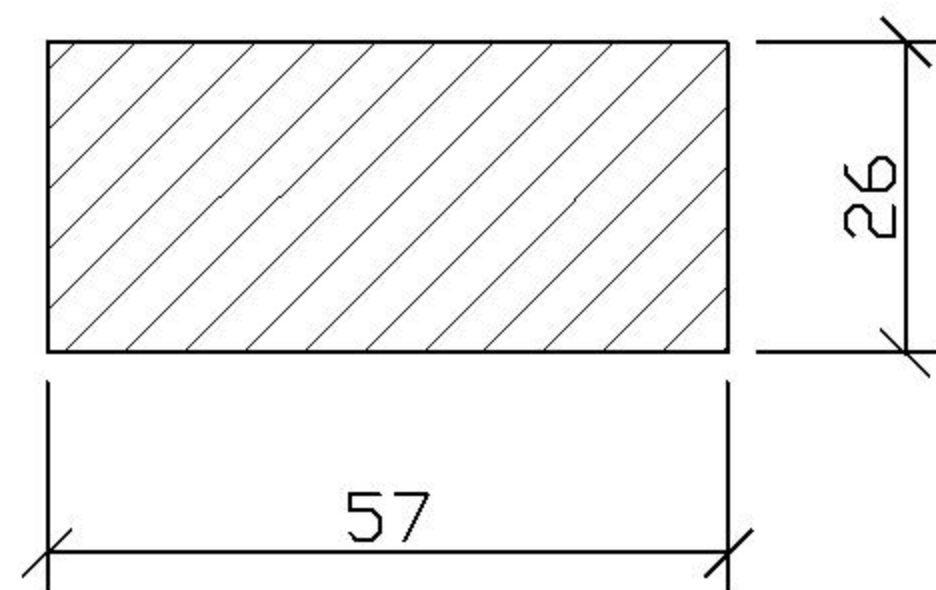
4008B
Lrg· L Frame with insert



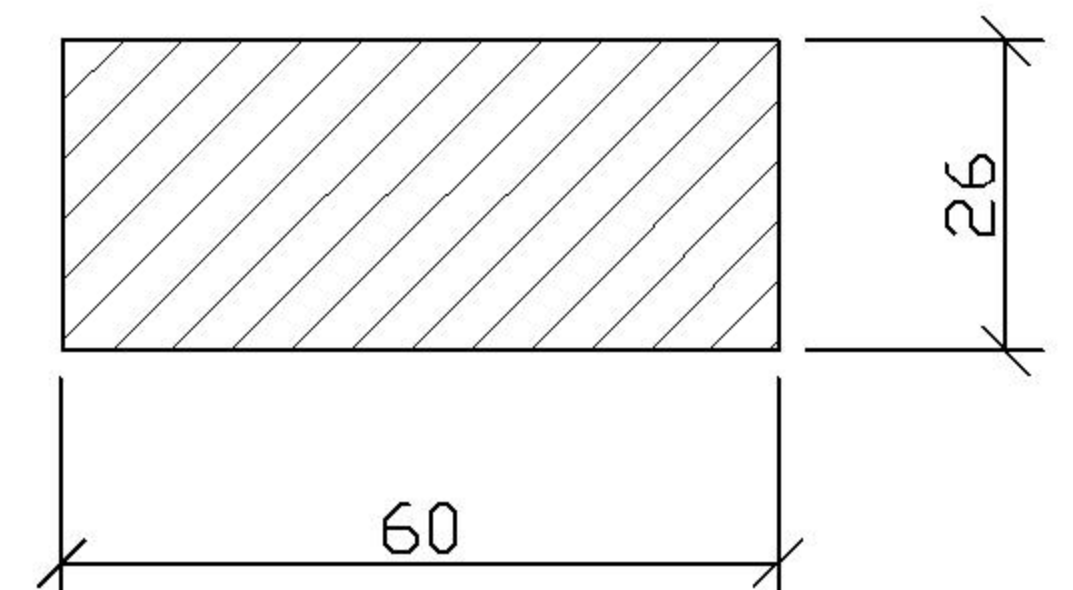
4008C
Xlrg· L Frame with insert



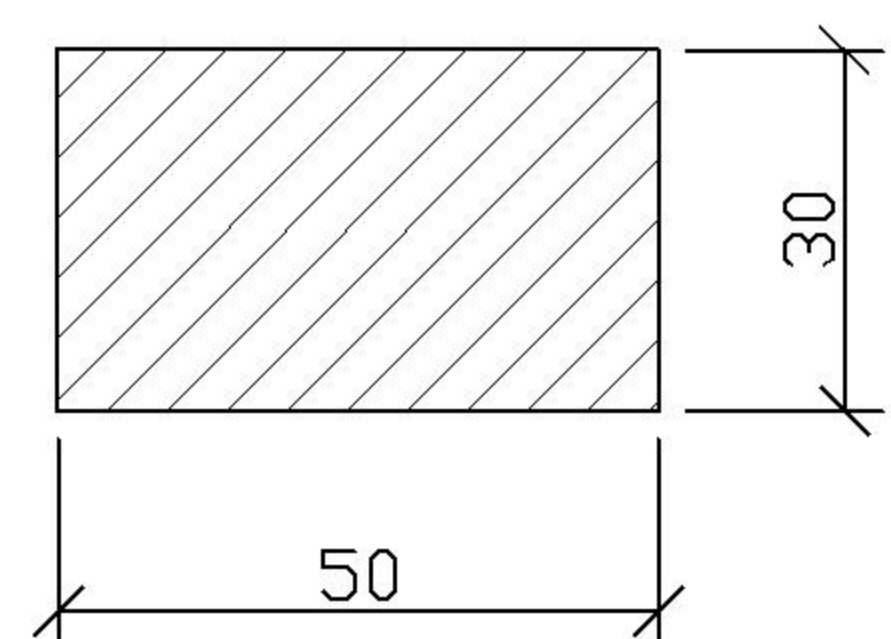
4026A
Loose timber frame



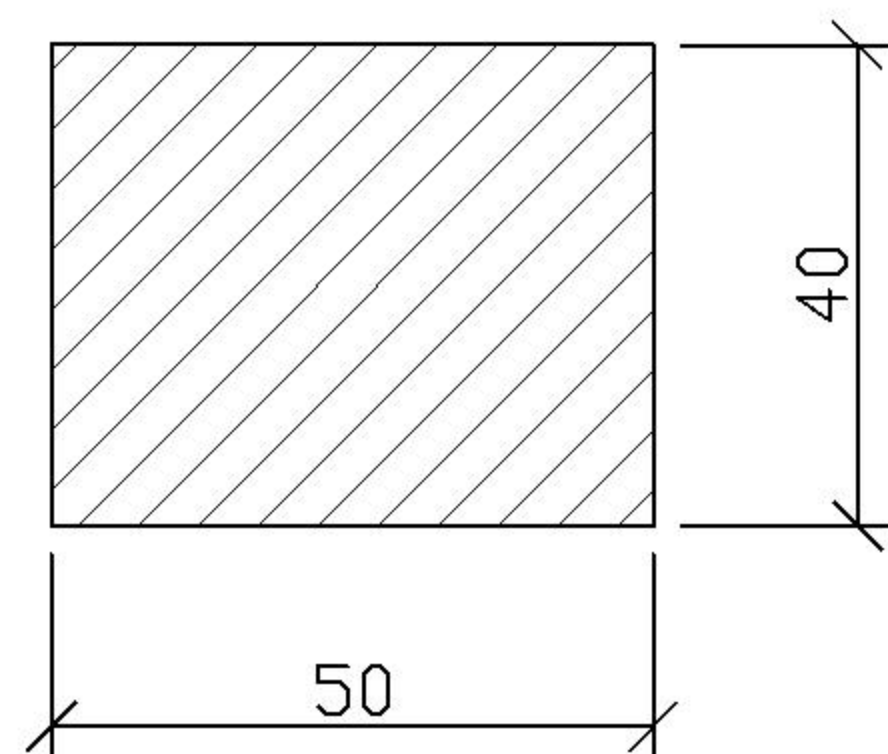
4026B
Loose timber frame



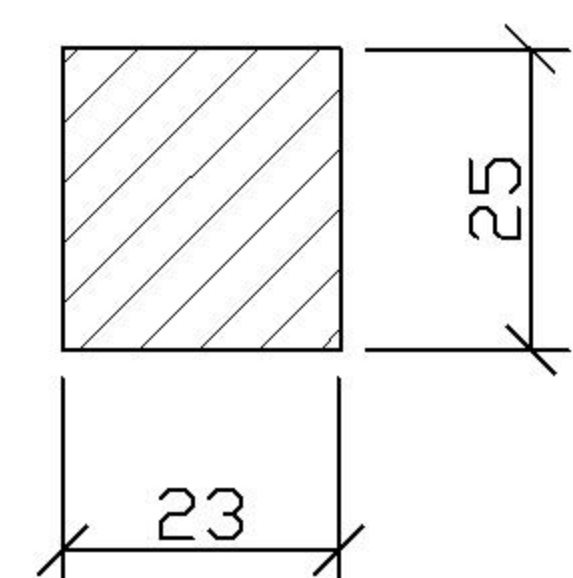
4026C
Loose timber frame



4030A
Loose timber frame

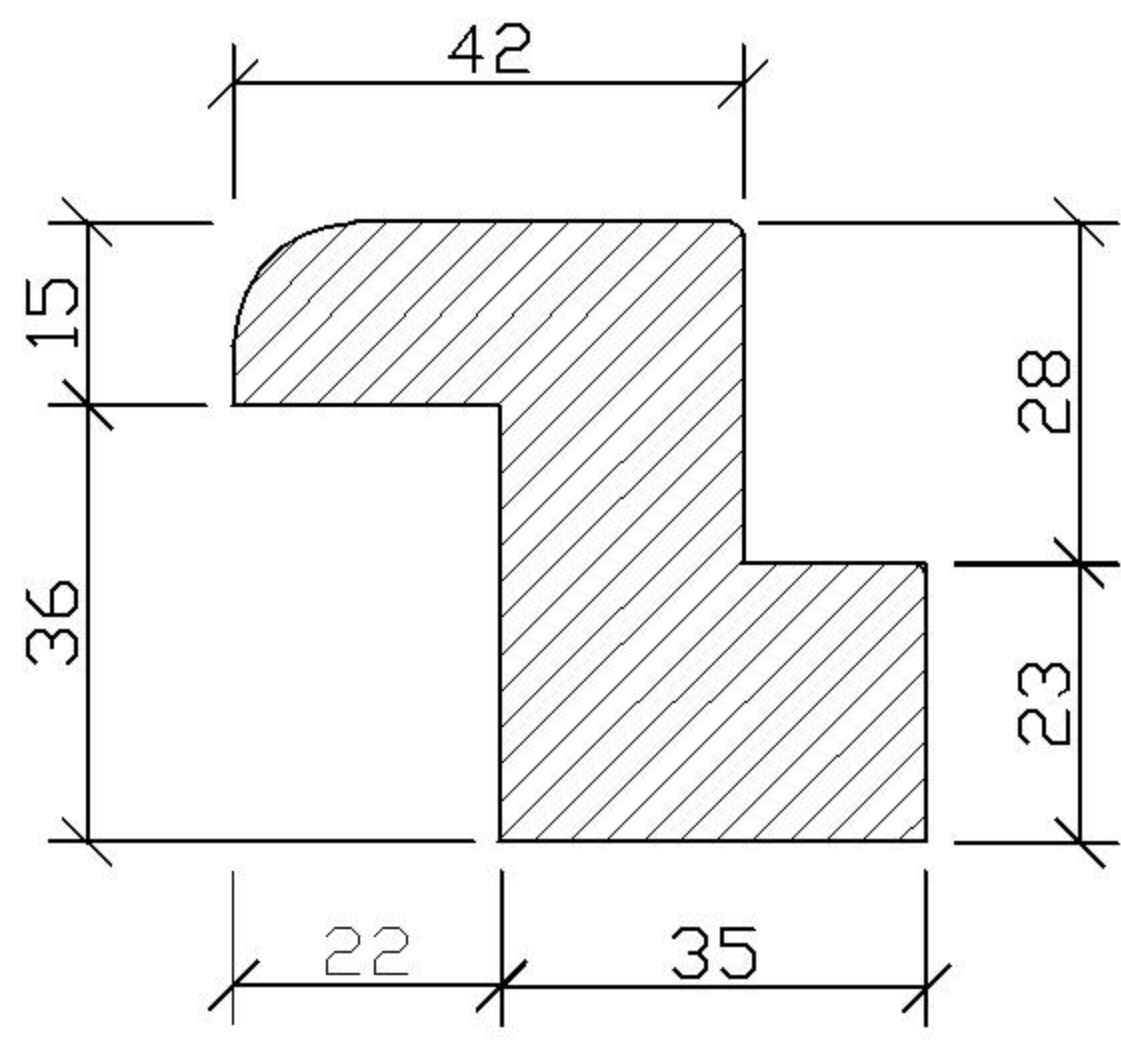


4040A
Loose timber frame

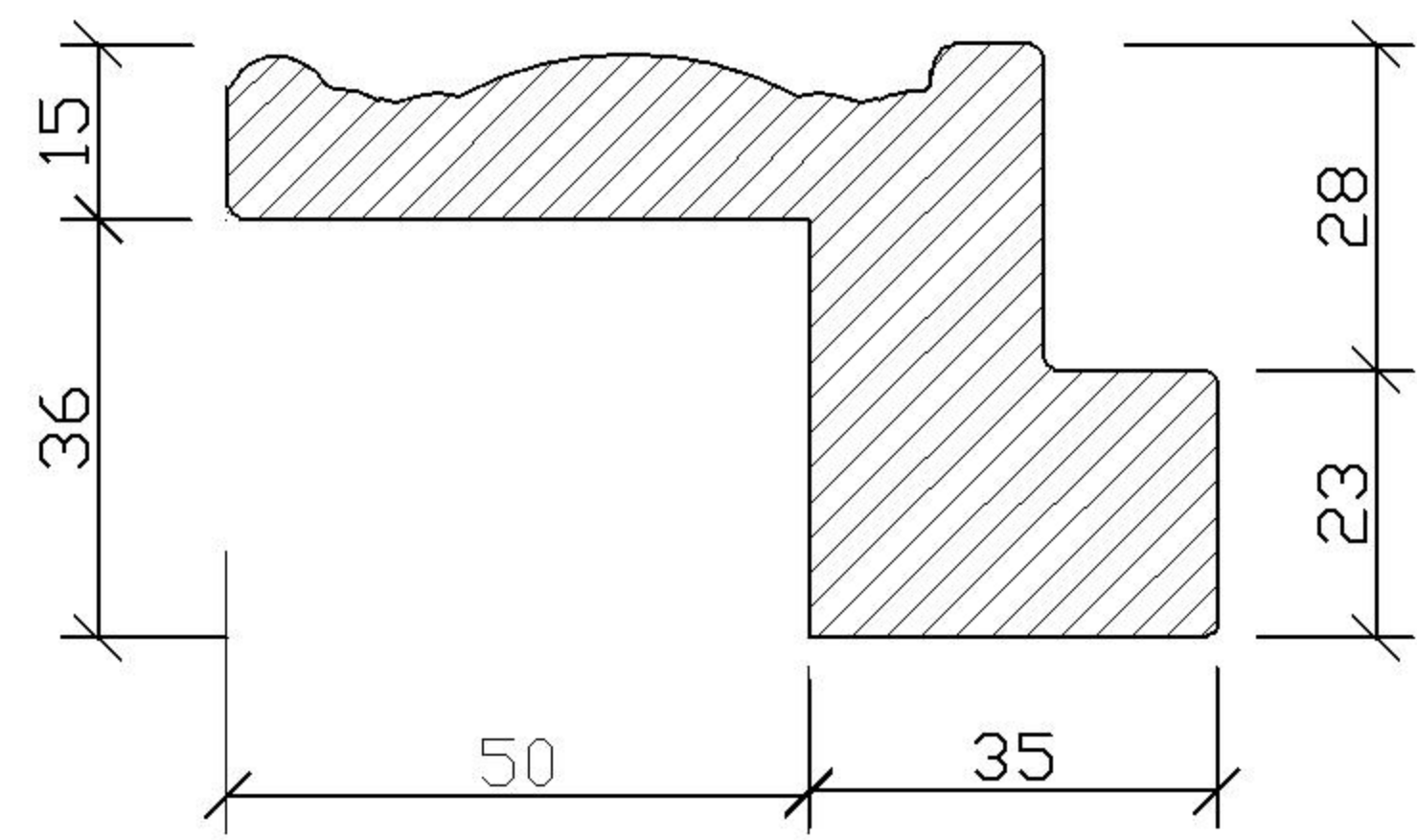


8003
Closing batten

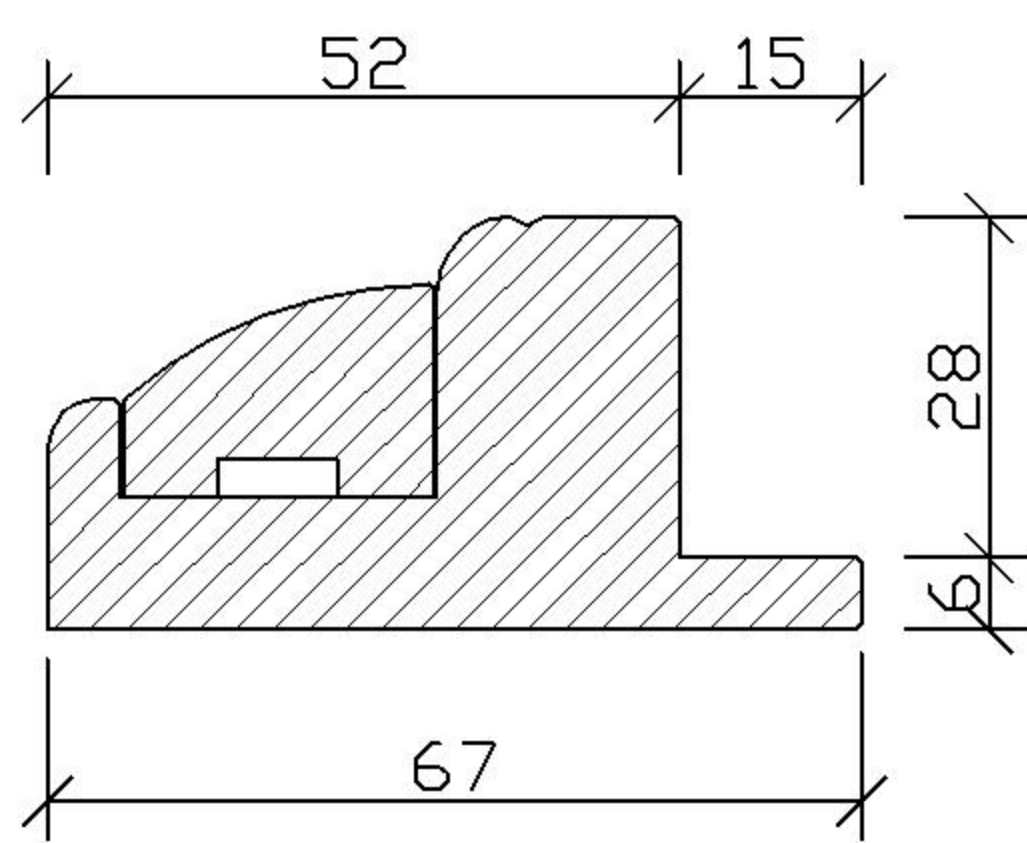
Subject: Frame type



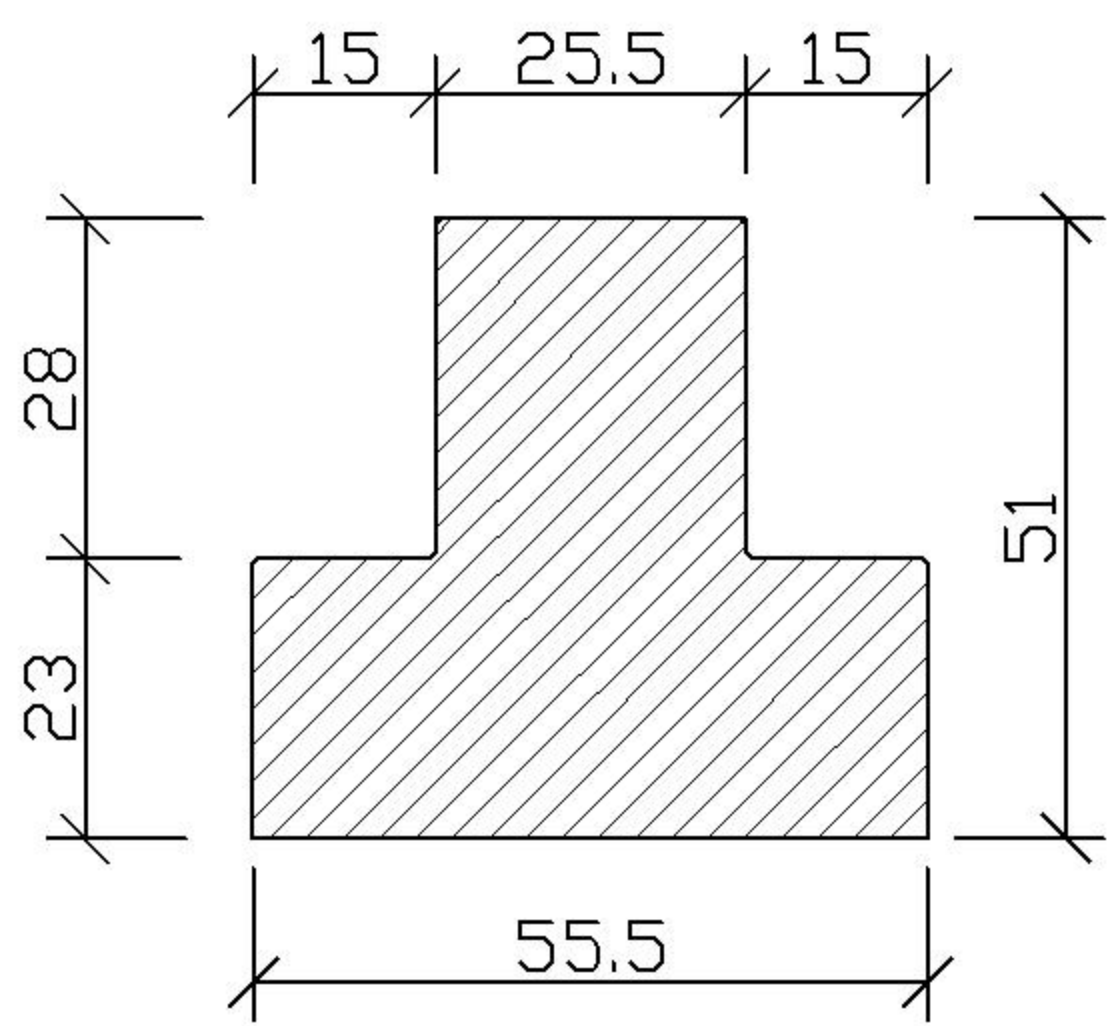
4003
Bull nose Z Frame



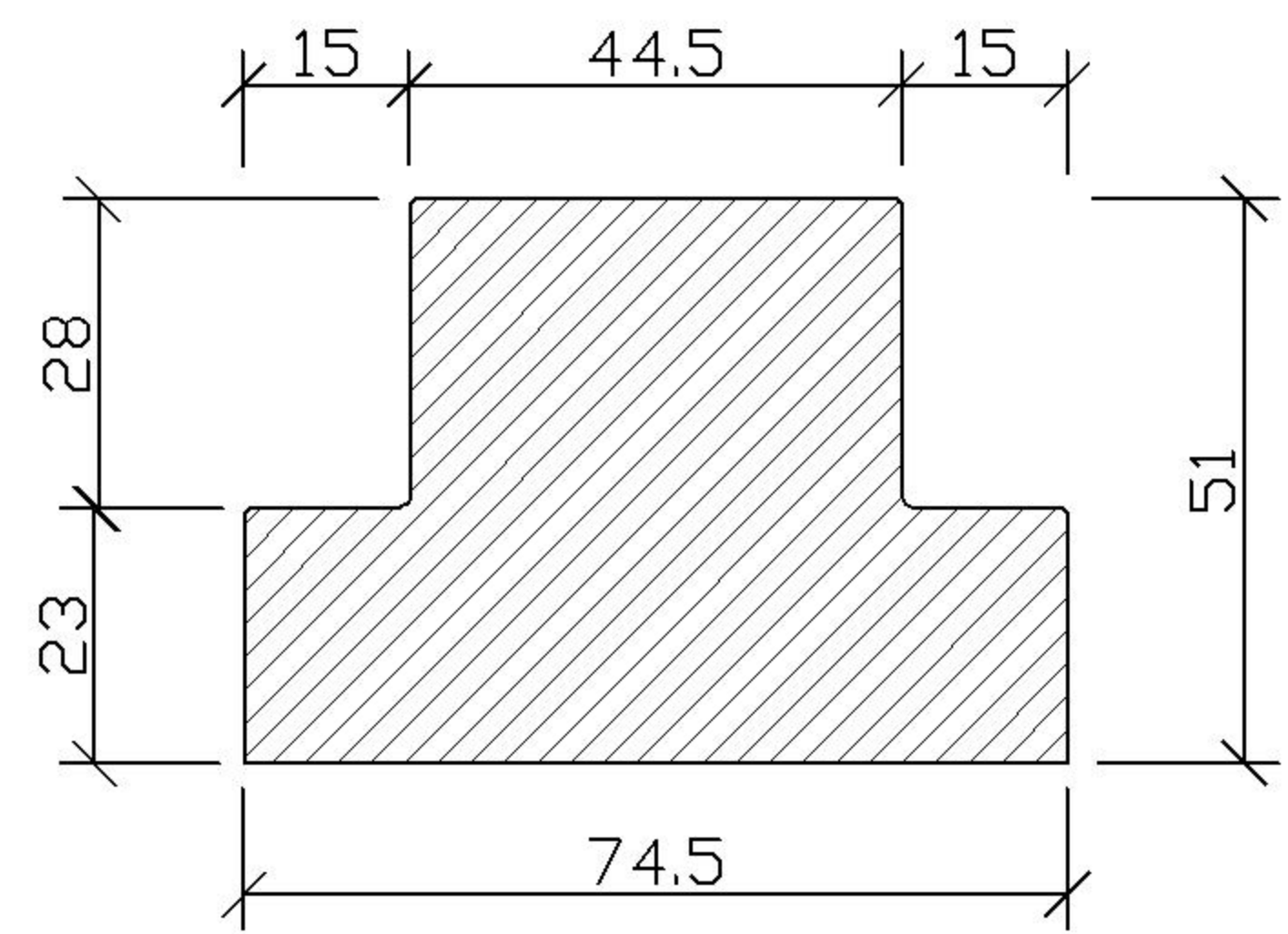
4004
Crown Z Frame



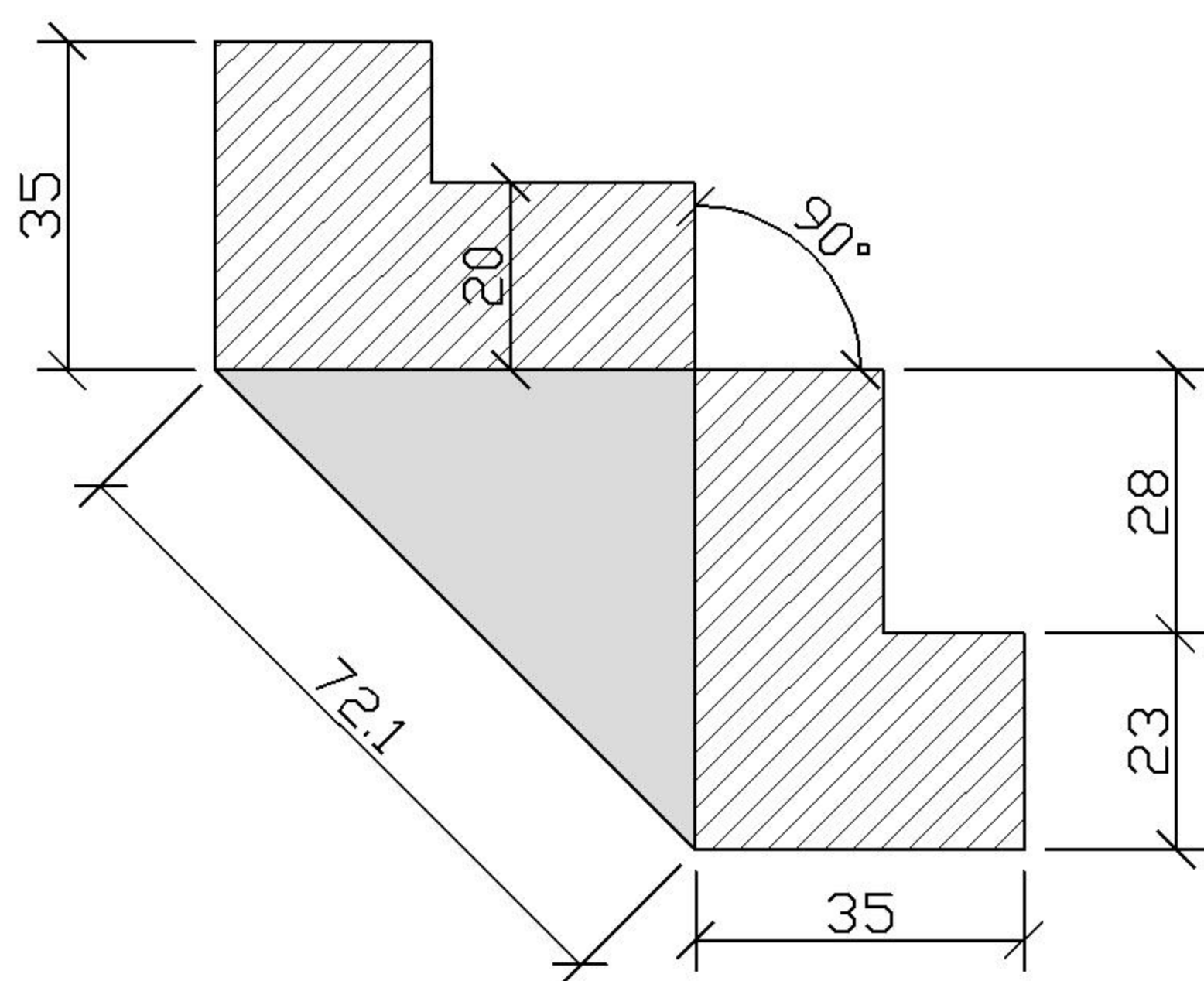
4009
Camber deco Frame



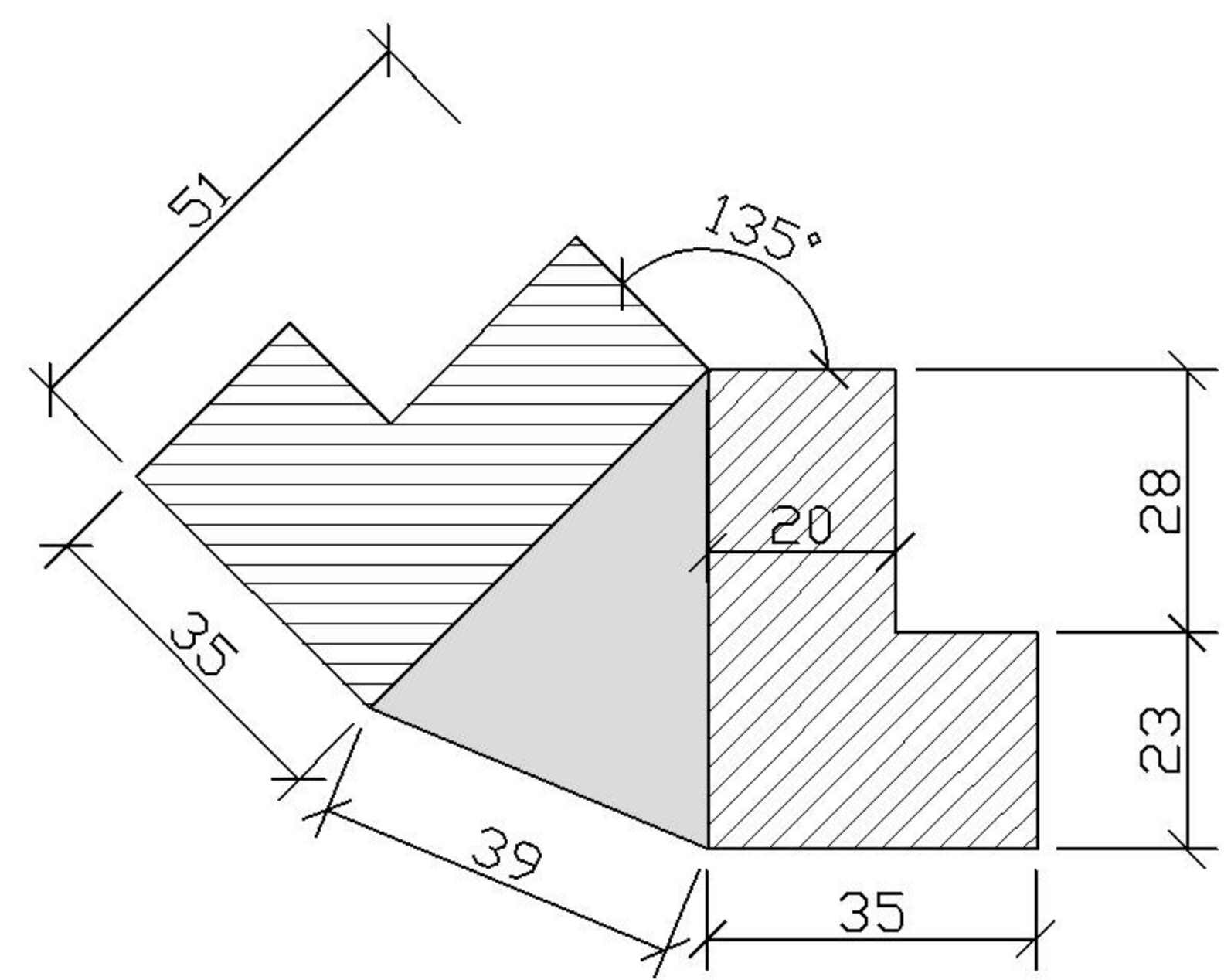
7001
Std. T-post



7011
Lrg. T-post

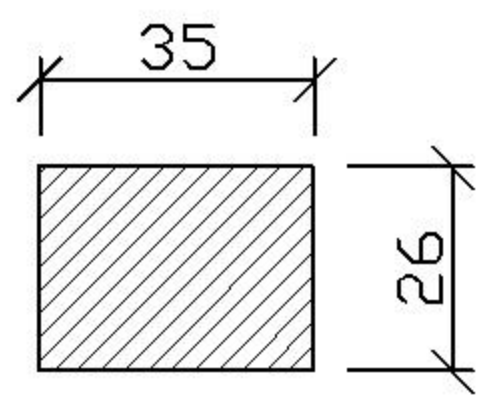


7002
Corner post 90 degrees

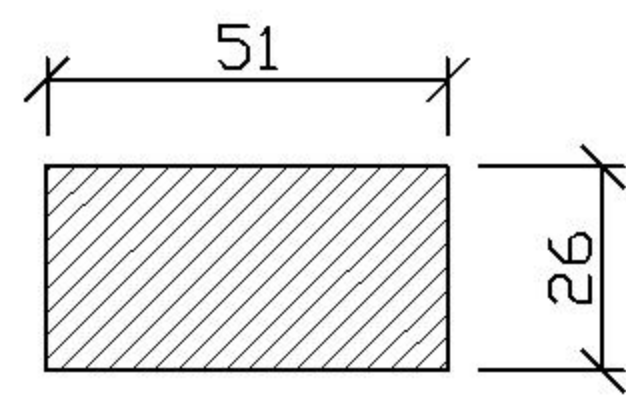


7003
Bay post 135 degrees

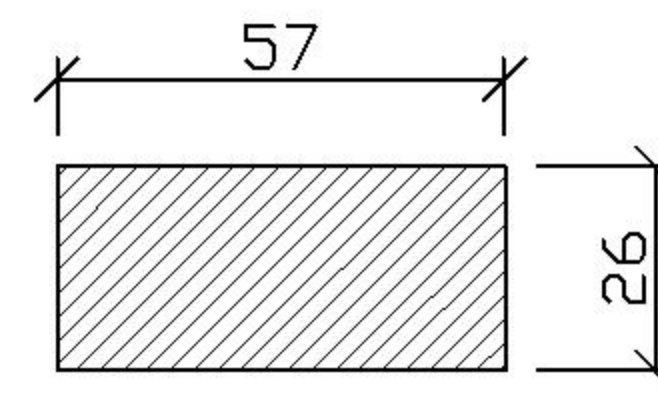
Subject:stile



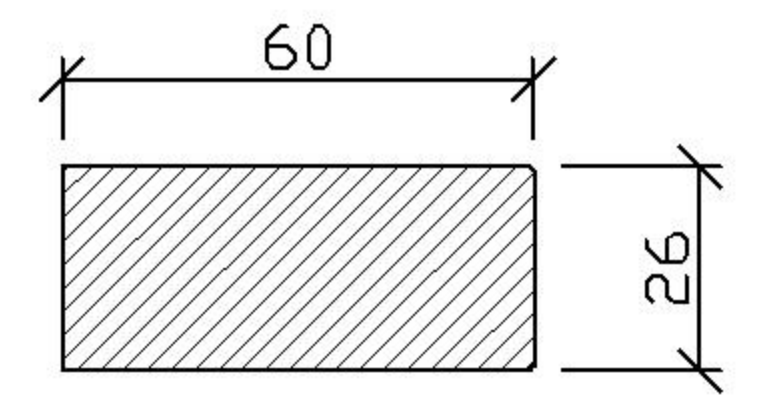
1001A
Std· plain butt stile



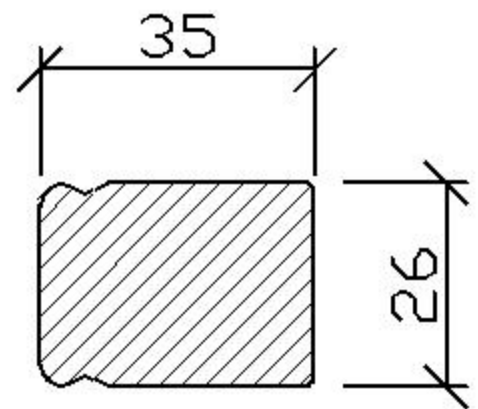
1001B
Lrg· plain butt stile



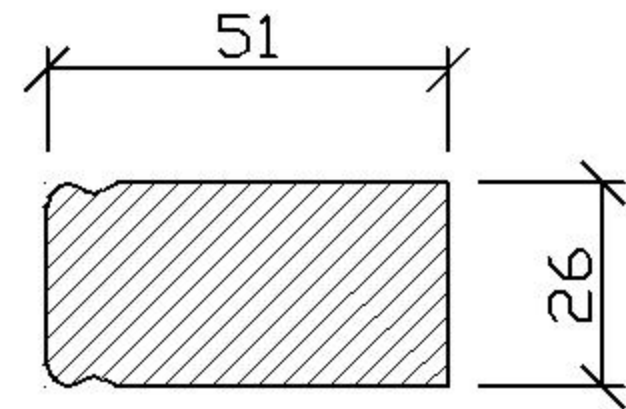
1001C
Lrg· plain butt stile



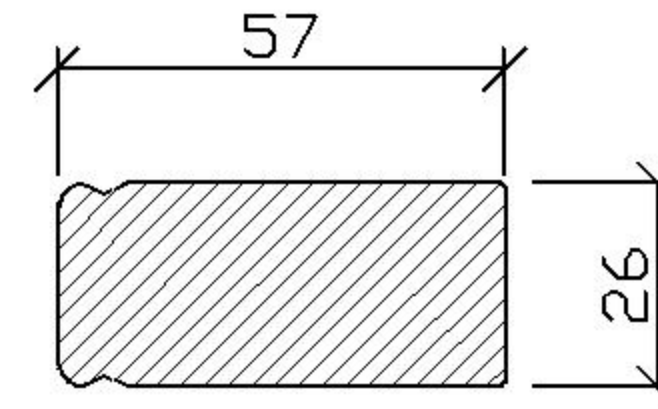
1001D
Xlrg· plain butt stile



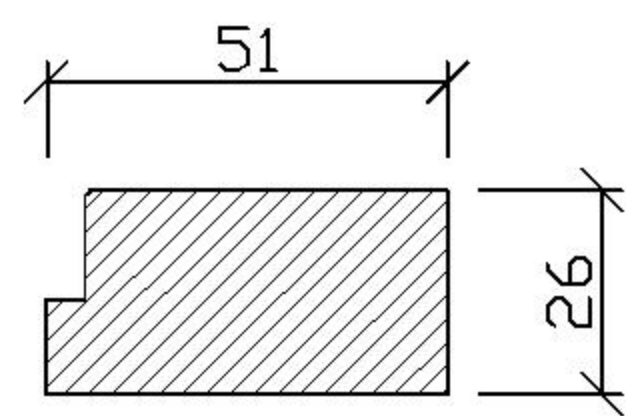
1002A
Std· beaded butt stile



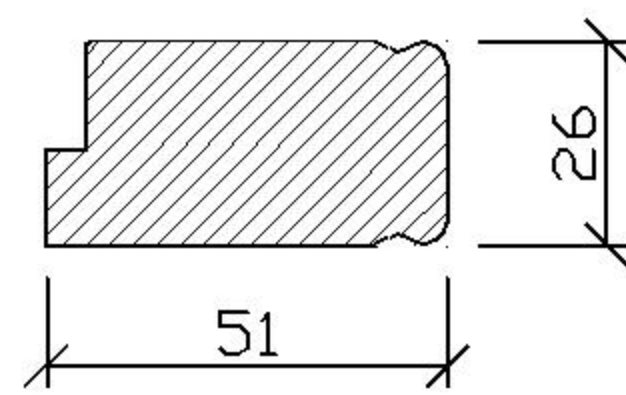
1002B
Lrg· beaded butt stile



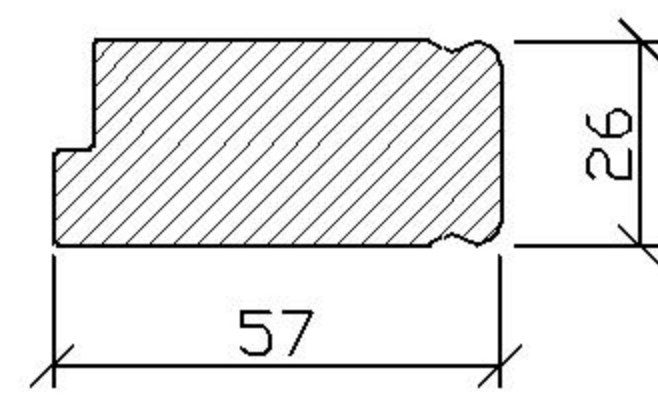
1002C
Xlrg· beaded butt stile



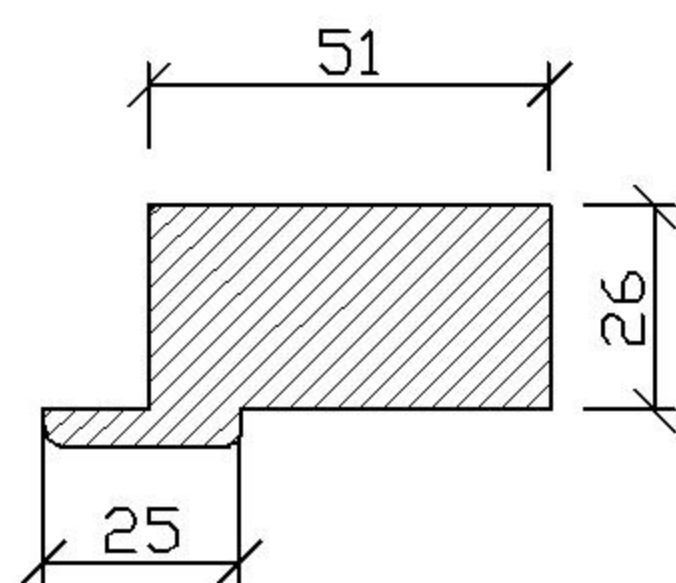
1003B
Lrg· plain rebate stile



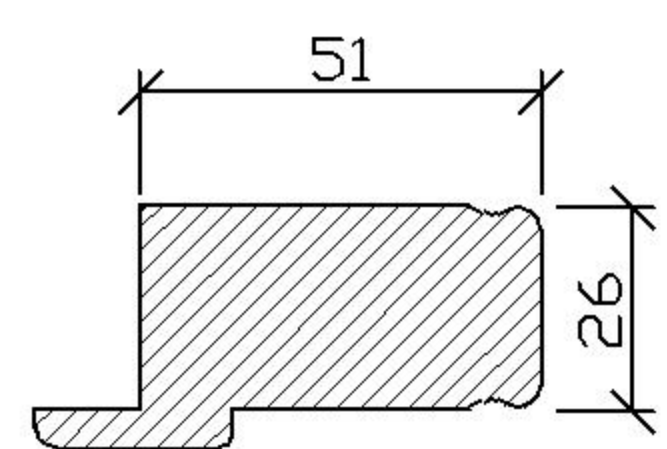
1004B
Lrg· beaded rebate stile



1004C
Xlrg· beaded rebate stile



1005B
Lrg· plain D mould stile



1006B
Lrg· beaded D mould stile